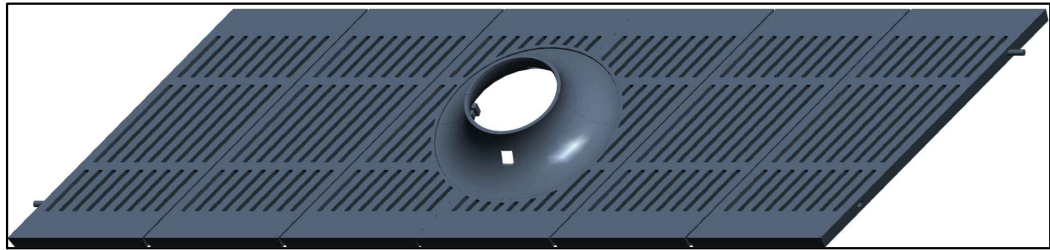
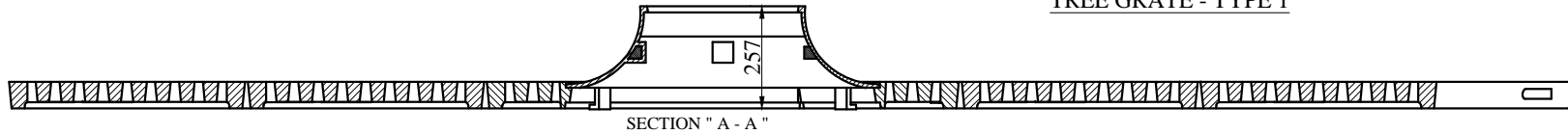


TREE GRATE - TYPE 1



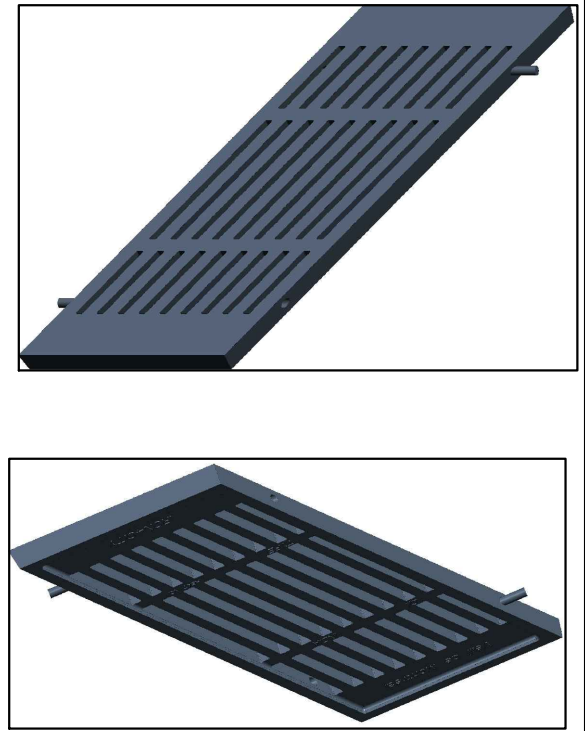
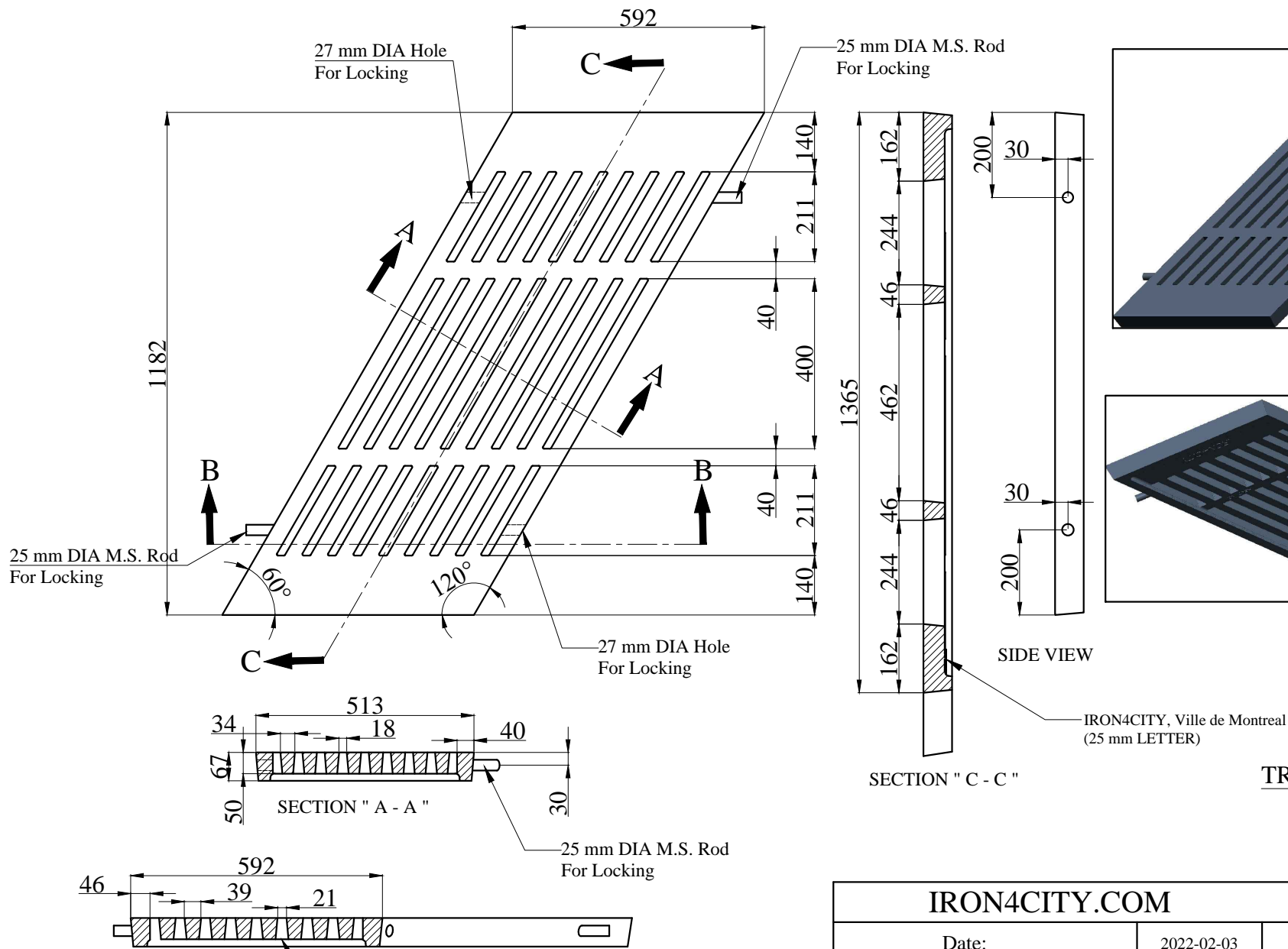
TREE GRATE ASSEMBLY - TYPE 1, TYPE 2 & CONE

BNQ 3221-500/2017  
Dimensions



REV.	DESCRIPTION	DATE
D		
C		
B		
A	AS PER BUYER'S INSTRUCTION MATERIAL CHANGED FROM C.I. TO D.I.	31.08.2022

IRON4CITY.COM		MIN	MAX
Date:	2022-02-03		
Produit/Product:	TREE GRATES ASSEMBLY		
Masse / Weight:	1152.0 kg.		
Fonte Ductile/Dutile Iron	A536 65-45-12		
Load Test Required Min.			



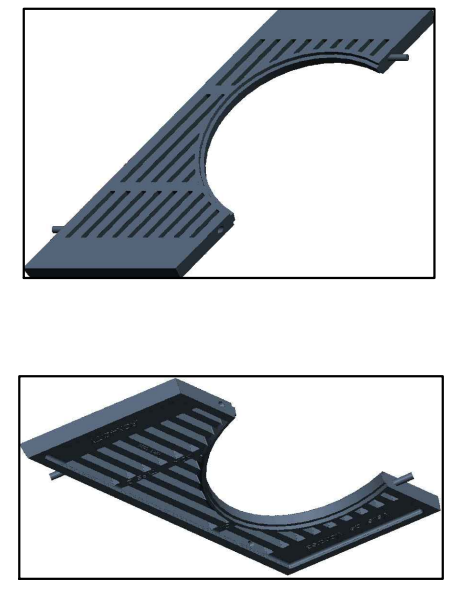
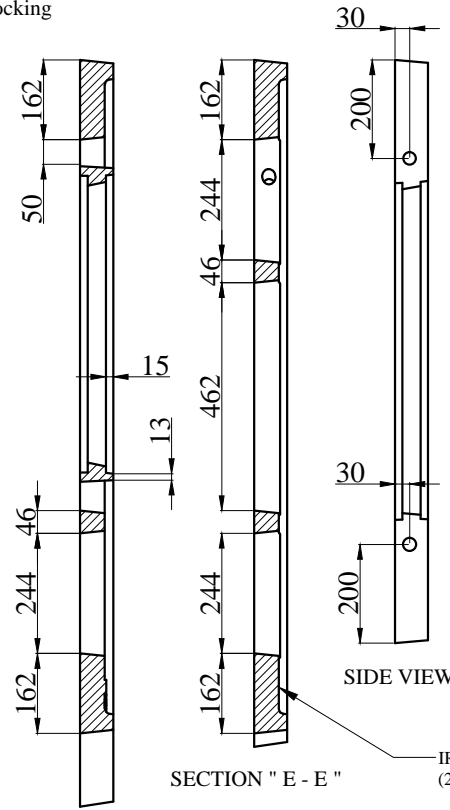
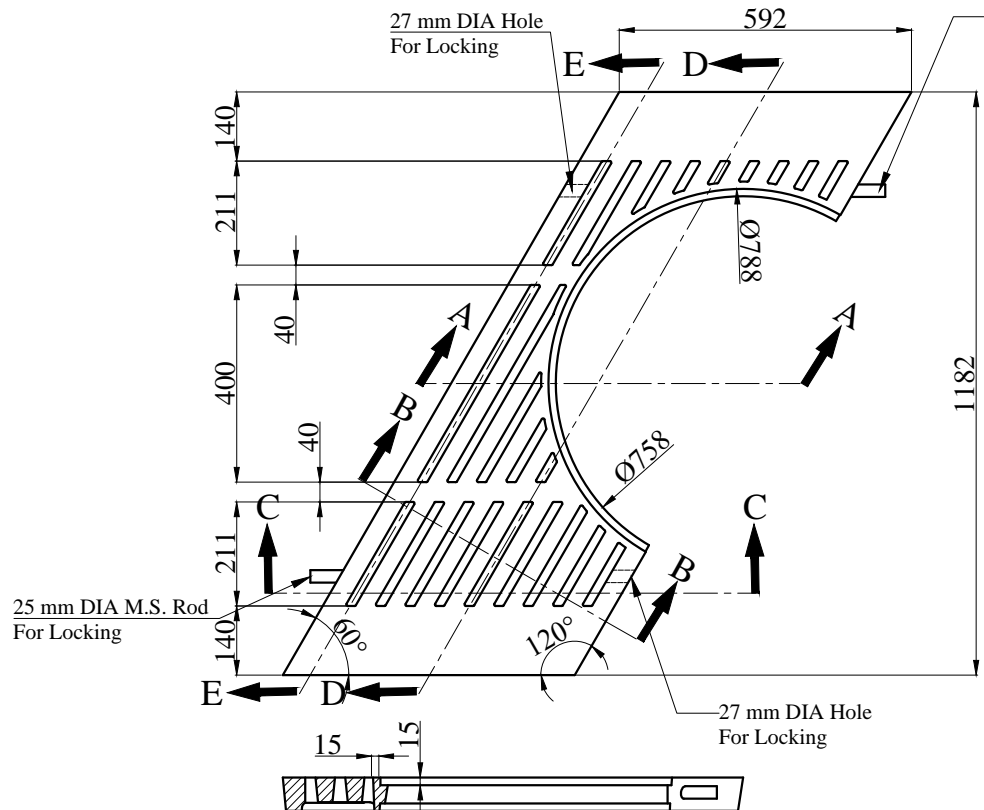
TREE GRATE - TYPE 1

BNQ 3221-500/2017  
Dimensions

IRON4CITY.COM		MIN	MAX
Date:	2022-02-03		
Produit/Product:	TREE GRATE		
Masse / Weight:	200.0 kg.		
Fonte Ductile/Dutile Iron	A536 65-45-12		
Load Test Required Min.			

REV.	DESCRIPTION	DATE
D		
C		
B	AS PER BUYER'S INSTRUCTION MATERIAL CHANGED FROM C.I. TO D.I.	31.08.2022
A	ADD MARKINGS AS PER BUYER'S MAIL	03.08.2022

INDIA, D.I., TYPE 1,  
YYYY/MM/DD

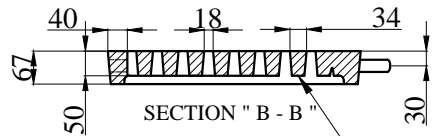


IRON4CITY, Ville de Montreal  
(25 mm LETTER)

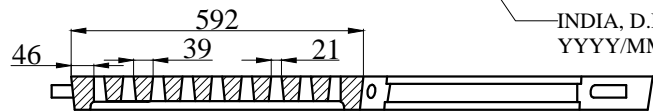
SECTION " A - A "

SECTION " D - D "

**TREE GRATE - TYPE 2**



SECTION " B - B "



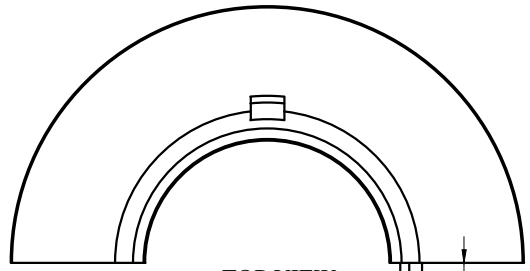
SECTION " C - C "

INDIA, D.I., TYPE 2,  
YYYY/MM/DD

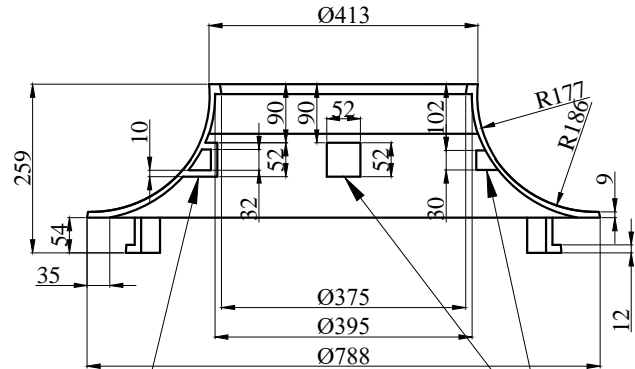
**BNQ 3221-500/2017**  
**Dimensions**

IRON4CITY.COM		MIN	MAX
Date:	2022-02-03		
Produit/Product:	TREE GRATE		
Masse / Weight:	150.0 kg.		
Fonte Ductile/Dutile Iron	A536 65-45-12		
Load Test Required Min.			

REV.	DESCRIPTION	DATE
D		
C		
B	AS PER BUYER'S INSTRUCTION MATERIAL CHANGED FROM C.I. TO D.I.	31.08.2022
A	ADD MARKINGS AS PER BUYER'S MAIL	03.08.2022



TOP VIEW

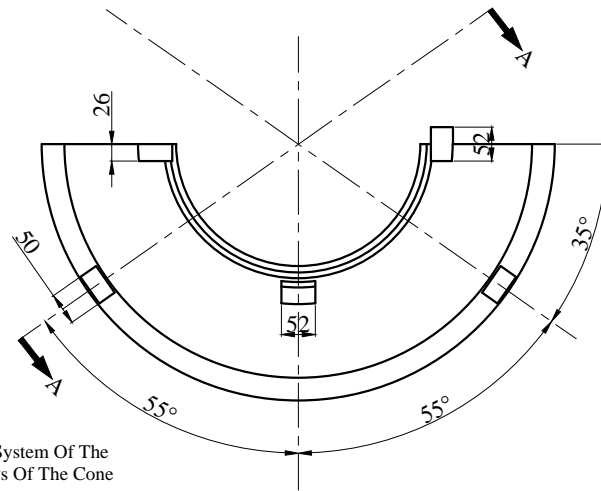


FRONT VIEW

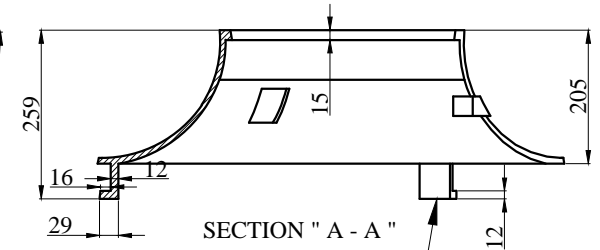
Locking System Of The Two Halvs Of The Cone

Locking System Of The Two Halvs Of The Cone

Cutter Hole

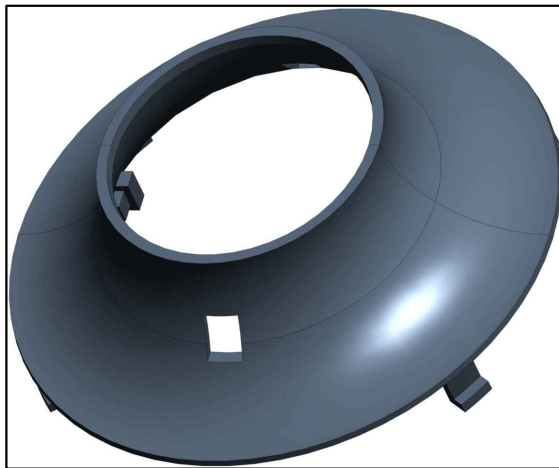


BOTTOM VIEW



SECTION " A - A "

Cone Locking System With Type 2 Grate



TWO HALVE CONE ASSEMBLY

**TREE GRATE CONE**

**BNQ 3221-500/2017**  
Dimensions

IRON4CITY.COM		MIN	MAX
Date:	2022-02-07		
Produit/Product:	CONE for TREE GRATE		
Masse / Weight:	26.0 kg. X 2 =52.0 kg		
Fonte Ductile/Dutile Iron	A536 65-45-12		
Load Test Required Min.			

REV.	DESCRIPTION	DATE
D		
C		
B		
A	AS PER BUYER'S INSTRUCTION MATERIAL CHANGED FROM C.I. TO D.I.	31.08.2022